

- exhibition systems
- interior design systems
- presentation systems
- cleanroom systems
- software and service

# OCTANORM MAGNETIC FIXING SYSTEM

For a perfect fabric presentation with the power of attraction



THE  
WORLD  
OF  
SYSTEMS

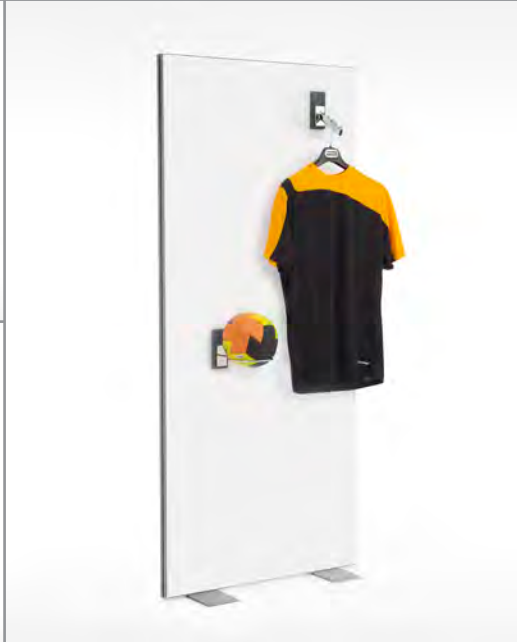
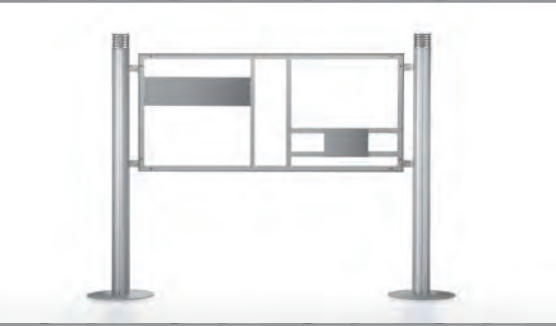
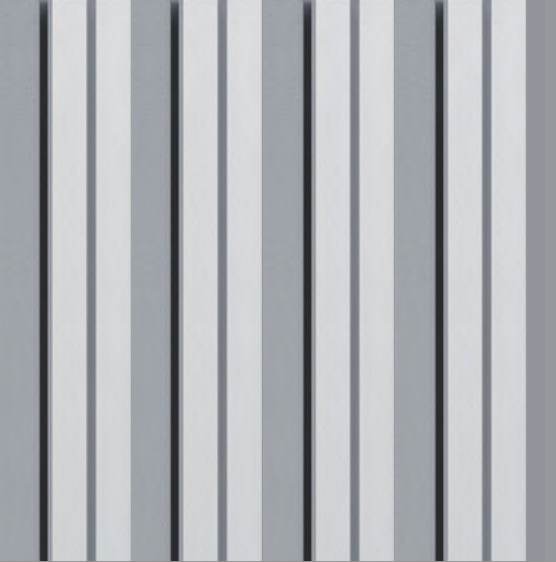
OCTANORM 

## **THE OCTANORM MAGNETIC SYSTEM ALLOWS VISUAL FABRIC GRAPHIC PRESENTATION**

The huge value of our system is the universal magnetic wall retainer (max. load 5 kg) for mounting a variety of faceouts, shelves and literature holders, tried and tested fabric tension technique (extrusion M 1307) with bracing possibilities for large formats and single and double sided use. A further plus is the quick and easy change of fabric panels (silicone edge grap) and the quick change of displayed items. Sturdy aluminium framework and steel plates allow variable fixture locations. The system is ideal as a free standing display and to enhance retail environments.



**OCTANORM** 





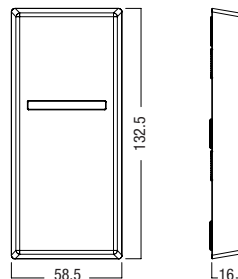
**MAGNETIC FIXING SYSTEM**

**PARTS AND ACCESSORIES**

**MAGNETIC WALL RETAINER**



plastic / slate grey RAL 7015  
with receiving slot for hook-in systems,  
# round magnets on the back for quick  
positioning on wall elements with fabric  
covered steel panels,  
non-slipping guaranteed for up to 5 kg  
distributed load  
PLEASE NOTE: Only hook-in systems with  
a maximum projection of 200 mm are  
admitted! (except MF 233 S)  
0,217 kg / 0.518 lbs



**MF 15**

**MF 15.90**

round magnets	15
max. distribution load	11 lbs
weight	0.518 lbs

**MF 12**

**MF 12.90**

round magnets	12
max. distribution load	6.614 lbs
weight	0.441 lbs

**MF 4**

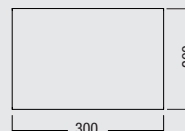
**MF 4.90**

round magnets	4
max. distribution load	1.102 lbs
weight	0.271 lbs

**STEEL PANEL**



steel, 2 mm thick  
for mounting to frames  
using Z 308 (32 x 16 mm)  
300 mm long  
1,182 kg / 2.606 lbs



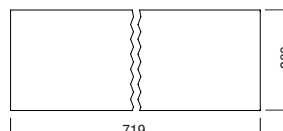
**MF 80**

**MF 80.37**

**STEEL PANEL**



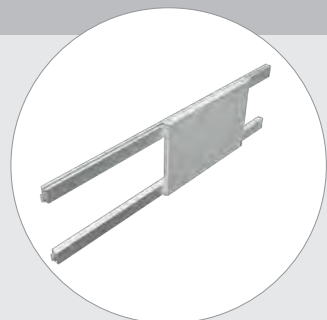
steel, 2 mm thick  
for mounting to frames  
using Z 308 (32 x 16 mm)  
719 mm long  
2,823 kg / 6.224 lbs



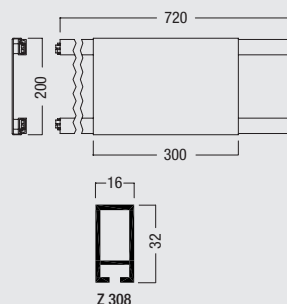
**MF 82**

**MF 82.37**

**STAHLPANEEL-SET**



steel / aluminium  
incl. 2 x beams Z 308 (32 x 16 mm)  
for OCTAfabric set M 1307  
300 mm long  
1,182 kg / 2.606 lbs



**MF 100**

**MF 100.37**

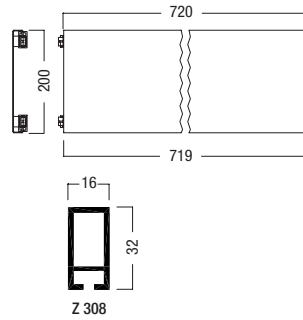


**MAGNETIC FIXING SYSTEM**

**PARTS AND ACCESSORIES**

**STEEL PANEL SET**

steel / aluminium  
incl. 2 x beams Z 308 (32 x 16 mm)  
for OCTAfabric set M 1307  
719 mm long  
3,763 kg / 8.296 lbs



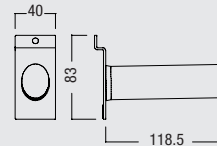
**MF 105**

**MF 105.37**



**TOOL**

steel, rubber  
for easy mounting and demounting  
of wall retainer MF 4, MF 12  
and MF 15  
0,210 kg / 0.463 lbs



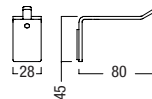
**MF 1**

**MF 1.90**



**MAGNETIC SINGLE HOOK**

steel, chrome-plated  
with 2 rectangle magnets on the back  
for quick positioning on wall elements  
with fabric covered steel panels  
**non-slip guarantee for max. 0.661 lbs**  
distributed load  
projection 80 mm  
0,050 kg / 0.110 lbs



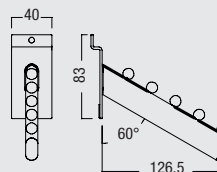
**MF 21**

**MF 21.41**



**FACEOUT / SLOPED**

steel, chrome-plated  
for hooking into wall retainer  
MF 12 and MF 15  
with 5 balls,  
projection 200 mm  
0,190 kg / 0.419 lbs



**MF 202 S**

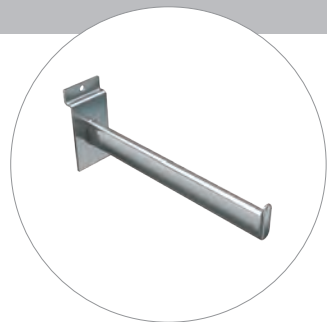
**MF 202 S.41**



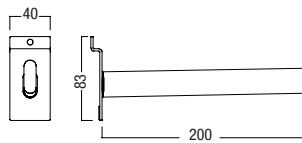
**MAGNETIC FIXING SYSTEM**

**PARTS AND ACCESSORIES**

**FACEOUT / STRAIGHT**



steel, chrome-plated  
for hooking into wall retainer  
MF 12 and MF 15  
projection 200 mm  
0,220 kg / 0.485 lbs



**MF 204 S**

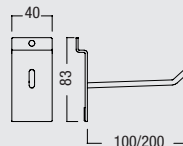
**MF 204 S.41**



**SINGLE HOOK**



steel, chrome-plated  
for hooking into wall retainer  
MF 4, MF 12 and MF 15  
**Note:** into MF 4 only MF 207 S  
can be mounted,  
projection 100 mm (MF 207 S)  
0,09 kg / 0.198 lbs  
projection 200 mm (MF 209 S)  
0,130 kg / 0.287 lbs

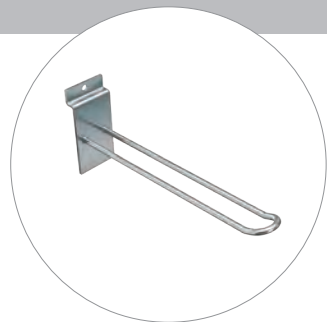


**MF 207 S**  
**MF 209 S**

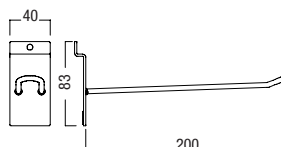
**MF 207 S.41**  
**MF 209 S.41**



**LOOPED HOOK**



steel, chrome-plated  
for hooking into wall retainer  
MF 12 and MF 15  
projection 200 mm  
0,126 kg / 0.278 lbs

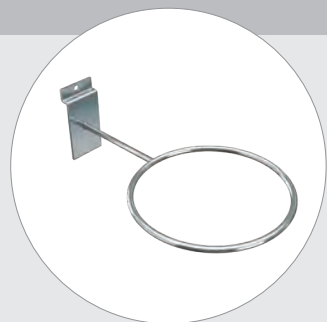


**MF 226 S**

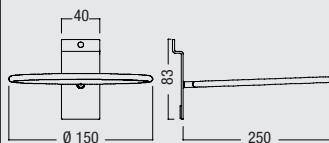
**MF 226 S.41**



**DISPLAY RING**



steel, chrome-plated  
for hooking into wall retainer  
MF 12 and MF 15  
projection 250 mm  
0,190 kg / 0.419 lbs



**MF 233 S**

**MF 233 S.41**

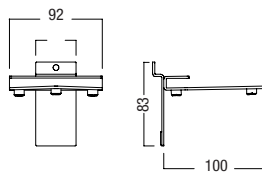


**MAGNETIC FIXING SYSTEM**

**PARTS AND ACCESSORIES**

**BRACKET / STRAIGHT**

steel, chrome-plated  
for hooking into wall retainer  
MF 12 and MF 15  
for 8 mm acrylic glass shelf and  
wooden shelf (incl. anti slipping  
device MF 306 S11)  
for a maximum projection of 200 mm  
0,220 kg / 0.485 lbs



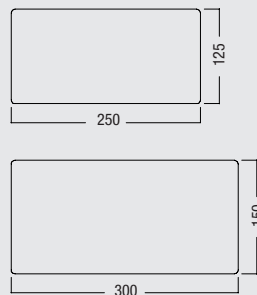
**MF 306 S**

**MF 306 S.41**



**ACRYLIC GLASS SHELF**

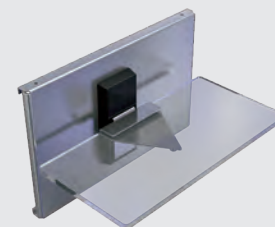
acrylic, clear, 8 mm  
for bracket MF 306 S  
size: 125 x 250 mm (MF 125 G)  
0,300 kg / 0.661 lbs  
size: 150 x 300 mm (MF 150 G)  
0,420 kg / 0.926 lbs



**MF 125 G**

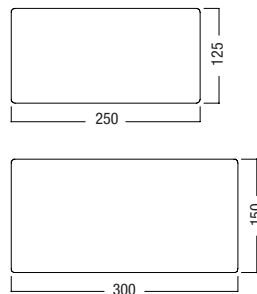
**MF 150 G**

**MF 125 G.51**  
**MF 150 G.51**



**WOOD SHELF**

wood, white, 8 mm  
for bracket MF 306 S  
size: 125 x 250 mm (MF 125 P)  
0,232 kg / 0.511 lbs  
size: 150 x 300 mm (MF 150 P)  
0,335 kg / 0.739 lbs



**MF 125 P**

**MF 150 P**

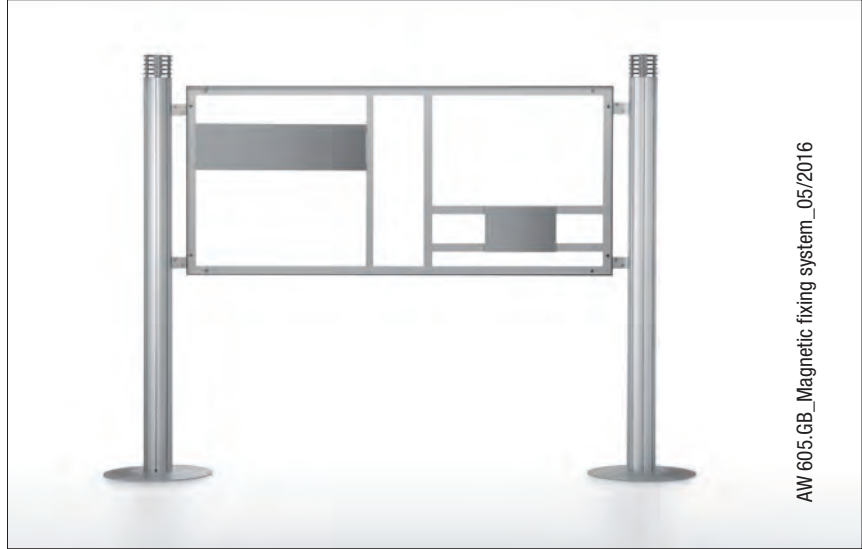
**MF 125 P.30**  
**MF 150 P.30**







[www.octanorm.com](http://www.octanorm.com)



AW 605.GB\_Magnetic fixing system\_05/2016

- exhibition systems
- interior design systems
- presentation systems
- cleanroom systems
- software and service